



**KARL MAYER**

# Warp NEWS LETTER Preparation



**BM-E Beaming machine –  
The “Ergonomic” Beaming Machine**

**09/2007**

## BM-E BEAMING MACHINE – THE “ERGONOMIC” BEAMING MACHINE

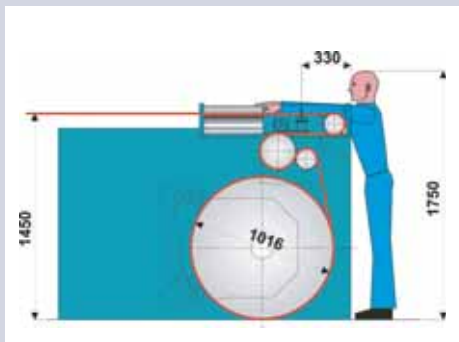
### Easy Beamer

For ITMA 2007 in Munich, KARL MAYER Rotal decided to give their customers a real treat when they present the “Easy Beamer”, a completely new concept in beaming technology. Not only the most operator friendly machine to date but also a complete integration of electronic boards within the beaming unit. This may not sound like much but when you think of the saving for the customer in terms of foundations and overhead channels as well as the faster erection and start up it certainly gives food-for-thought. Using the latest technology in “book” drives, the complete control for the sizing machine line can now be efficiently placed in a cabinet on the side of the beaming machine, not only a huge space saving for everybody concerned but as mentioned before, no customization is required because of the position of the electric board. Neat, compact, accessible, just the way a beaming machine should be constructed.

### Easy Stretch

For those not already persuaded with the convincing arguments so far, we have the “ace” card waiting for you: a main reed construction that moves to the operator! No more having to get steps and balance precariously on the machine to thread the ends, no more back ache from hanging over a set of rollers. When the machine stops and upon activation by the operator, the complete assembly of rollers and reed can be moved towards the front of the machine, this allows the operator to easily reach to the main reed and also have a perfect access to the roller trio – nothing short of a revolution for a beaming machine.

The complete unit is now mounted on a pneumatic “slide” that can move forwards and backwards at the operators request. The problem of accessing the yarn sheet on a sizing machine beaming head now becomes a thing of the past thanks to the innovation of KARL MAYER Rotal and their BM-E machine.





## EasyAccess

How convenient would it be to have the operator panel of the machine exactly where you need it no matter where you are on the machine? Imagine being able to have complete control of the beaming head no matter where you are in front of the machine. Your wish has been granted: the KARL MAYER Rotal beaming head features an “easy slide” operator panel that can be moved across the machine as required. Everything at your fingertips!

The BM-E beaming head will be presented on the KARL MAYER Rotal warp preparation stand during the upcoming ITMA exhibition in Munich. Don't miss out, visit hall B6, Stand 305/400 and see what the future of sizing machines looks like. Come and discuss your requirements with our sales personnel and see how we can make your visions a reality.



## Germany

KARL MAYER Textilmaschinenfabrik GmbH  
Brühlstraße 25  
D-63179 Obertshausen  
Tel. +49 6104 4020  
Fax +49 6104 402 600  
E-Mail: info@karlmayer.de

KARL MAYER MALIMO  
Textilmaschinenfabrik GmbH  
Mauersbergerstraße 2, D-09117 Chemnitz  
PF 713, D-09007 Chemnitz  
Tel. +49 371 81430  
Fax +49 371 8143110  
E-Mail: info@karlmayer.de

## Italy

KARL MAYER ROTAL S.r.L.  
Via Trento N° 117  
38017 Mezzolombardo (TN)  
Tel. +39 0461 608611  
Fax +39 0461 601790  
E-Mail: info@karlmayerrotal.it

## Japan

NIPPON MAYER LTD.  
No. 27-33 1-chome, Kamikitano  
Fukui-City, 918-8522  
Tel. +81 776 54 5500  
Fax +81 776 27 3400  
E-Mail: info@nipponmayer.co.jp

## P.R. China

KARL MAYER Textile Machinery LTD.  
159, East Renmin Road  
Hutang Town, Wujin District  
Changzhou City  
Jiangsu Province, Postcode: 213161  
Tel. +86 519 6198888  
Fax +86 519 6190000  
E-Mail: info@karlmayer.com.cn

KARL MAYER (H.K.) LTD.  
Suite 1413, 14th Floor  
Ocean Center, Harbour City,  
Tsim Sha Tsui, Kowloon  
Tel. +852 27239262  
Fax +852 27398730  
E-Mail: info@karlmayer.com.hk

## UK

KARL MAYER Textile Machinery LTD.  
Kings Road, Shepshed,  
Leic. LE 12 9HT  
Tel. +44 1509 502056  
Fax +44 1509 508065  
E-Mail: info@karlmayer.co.uk

## USA

KARL MAYER North America  
Mayer Textile Machine Corp.  
310 North Chimney Rock Road  
Greensboro, North Carolina 27409  
Tel. +1 336 2941572  
Fax +1 336 8540251  
E-Mail: info@karlmayerusa.com

[www.karlmayer.de](http://www.karlmayer.de)



**we care about your future**



**KARL MAYER**